

LM555/LM555C Timer

General Description

The LM555 is a highly stable device for generating accurate time delays or oscillation. Additional terminals are provided for triggering or resetting if desired. In the time delay mode of operation, the time is precisely controlled by one external resistor and capacitor. For astable operation as an oscillator, the free running frequency and duty cycle are accurately controlled with two external resistors and one capacitor. The circuit may be triggered and reset on falling waveforms, and the output circuit can source or sink up to 200 mA or drive TTL circuits.

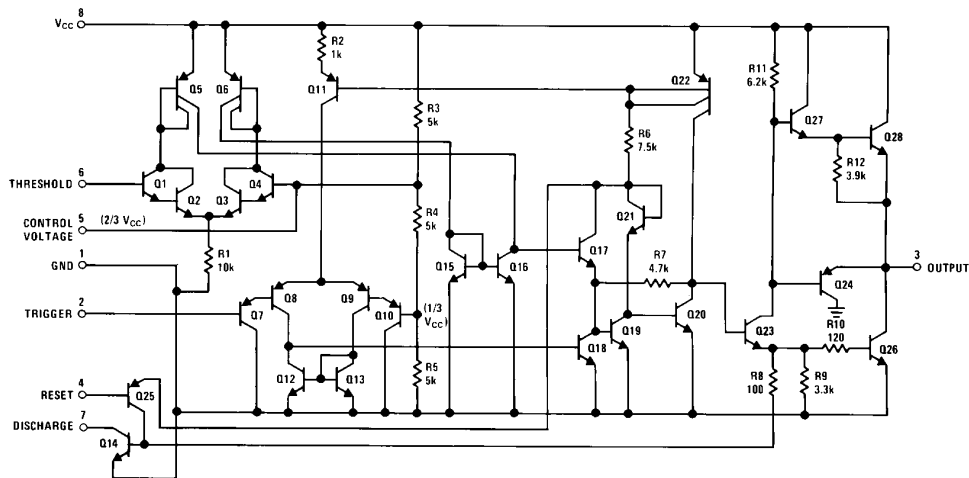
Features

- Direct replacement for SE555/NE555
- Timing from microseconds through hours
- Operates in both astable and monostable modes
- Adjustable duty cycle
- Output can source or sink 200 mA
- Output and supply TTL compatible
- Temperature stability better than 0.005% per °C
- Normally on and normally off output
- Available in 8 pin MSOP package

Applications

- Precision timing
- Pulse generation
- Sequential timing
- Time delay generation
- Pulse width modulation
- Pulse position modulation
- Linear ramp generator

Schematic Diagram



DS007851-1

Absolute Maximum Ratings (Note 2)

If Military/Aerospace specified devices are required, please contact the National Semiconductor Sales Office/Distributors for availability and specifications.

Supply Voltage	+18V
Power Dissipation (Note 3)	
LM555H, LM555CH	760 mW
LM555, LM555CN	1180 mW
LM555CMM	613 mW
Operating Temperature Ranges	
LM555C	0°C to +70°C
LM555	-55°C to +125°C

Storage Temperature Range -65°C to +150°C

Soldering Information

Dual-In-Line Package	
Soldering (10 Seconds)	260°C
Small Outline Packages (SOIC and MSOP)	
Vapor Phase (60 Seconds)	215°C
Infrared (15 Seconds)	220°C

See AN-450 "Surface Mounting Methods and Their Effect on Product Reliability" for other methods of soldering surface mount devices.

Electrical Characteristics (Notes 1, 2)

($T_A = 25^\circ\text{C}$, $V_{CC} = +5\text{V}$ to +15V, unless otherwise specified)

Parameter	Conditions	Limits						Units
		LM555			LM555C			
		Min	Typ	Max	Min	Typ	Max	
Supply Voltage		4.5		18	4.5		16	V
Supply Current	$V_{CC} = 5\text{V}$, $R_L = \infty$ $V_{CC} = 15\text{V}$, $R_L = \infty$ (Low State) (Note 4)		3 10	5 12		3 10	6 15	mA mA
Timing Error, Monostable								
Initial Accuracy	$R_A = 1\text{k}$ to 100 k Ω , $C = 0.1\ \mu\text{F}$, (Note 5)		0.5			1		%
Drift with Temperature			30			50		ppm/°C
Accuracy over Temperature			1.5			1.5		%
Drift with Supply		0.05			0.1		%/V	
Timing Error, Astable								
Initial Accuracy	$R_A, R_B = 1\text{k}$ to 100 k Ω , $C = 0.1\ \mu\text{F}$, (Note 5)		1.5			2.25		%
Drift with Temperature			90			150		ppm/°C
Accuracy over Temperature			2.5			3.0		%
Drift with Supply		0.15			0.30		%/V	
Threshold Voltage			0.667			0.667		$\times V_{CC}$
Trigger Voltage	$V_{CC} = 15\text{V}$ $V_{CC} = 5\text{V}$	4.8 1.45	5 1.67	5.2 1.9		5 1.67		V V
Trigger Current			0.01	0.5		0.5	0.9	μA
Reset Voltage		0.4	0.5	1	0.4	0.5	1	V
Reset Current			0.1	0.4		0.1	0.4	mA
Threshold Current	(Note 6)		0.1	0.25		0.1	0.25	μA
Control Voltage Level	$V_{CC} = 15\text{V}$ $V_{CC} = 5\text{V}$	9.6 2.9	10 3.33	10.4 3.8	9 2.6	10 3.33	11 4	V V
Pin 7 Leakage Output High			1	100		1	100	nA
Pin 7 Sat (Note 7)								
Output Low	$V_{CC} = 15\text{V}$, $I_Z = 15\text{ mA}$		150			180		mV
Output Low	$V_{CC} = 4.5\text{V}$, $I_Z = 4.5\text{ mA}$		70	100		80	200	mV

Electrical Characteristics (Notes 1, 2) (Continued)

($T_A = 25^\circ\text{C}$, $V_{CC} = +5\text{V}$ to $+15\text{V}$, unless otherwise specified)

Parameter	Conditions	Limits						Units
		LM555			LM555C			
		Min	Typ	Max	Min	Typ	Max	
Output Voltage Drop (Low)	$V_{CC} = 15\text{V}$							
	$I_{\text{SINK}} = 10\text{ mA}$		0.1	0.15		0.1	0.25	V
	$I_{\text{SINK}} = 50\text{ mA}$		0.4	0.5		0.4	0.75	V
	$I_{\text{SINK}} = 100\text{ mA}$		2	2.2		2	2.5	V
	$I_{\text{SINK}} = 200\text{ mA}$		2.5			2.5		V
	$V_{CC} = 5\text{V}$							
	$I_{\text{SINK}} = 8\text{ mA}$		0.1	0.25				V
Output Voltage Drop (High)	$I_{\text{SOURCE}} = 200\text{ mA}$, $V_{CC} = 15\text{V}$		12.5			12.5		V
	$I_{\text{SOURCE}} = 100\text{ mA}$, $V_{CC} = 15\text{V}$	13	13.3		12.75	13.3		V
	$V_{CC} = 5\text{V}$	3	3.3		2.75	3.3		V
Rise Time of Output			100			100		ns
Fall Time of Output			100			100		ns

Note 1: All voltages are measured with respect to the ground pin, unless otherwise specified.

Note 2: Absolute Maximum Ratings indicate limits beyond which damage to the device may occur. Operating Ratings indicate conditions for which the device is functional, but do not guarantee specific performance limits. Electrical Characteristics state DC and AC electrical specifications under particular test conditions which guarantee specific performance limits. This assumes that the device is within the Operating Ratings. Specifications are not guaranteed for parameters where no limit is given, however, the typical value is a good indication of device performance.

Note 3: For operating at elevated temperatures the device must be derated above 25°C based on a $+150^\circ\text{C}$ maximum junction temperature and a thermal resistance of 164°C/W (T0-5), 106°C/W (DIP), 170°C/W (S0-8), and 204°C/W (MSOP) junction to ambient.

Note 4: Supply current when output high typically 1 mA less at $V_{CC} = 5\text{V}$.

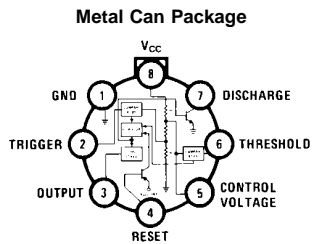
Note 5: Tested at $V_{CC} = 5\text{V}$ and $V_{CC} = 15\text{V}$.

Note 6: This will determine the maximum value of $R_A + R_B$ for 15V operation. The maximum total ($R_A + R_B$) is 20 M Ω .

Note 7: No protection against excessive pin 7 current is necessary providing the package dissipation rating will not be exceeded.

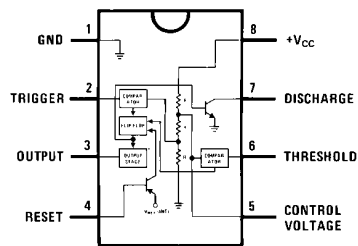
Note 8: Refer to RETS555X drawing of military LM555H and LM555J versions for specifications.

Connection Diagrams



Top View
Order Number LM555H or LM555CH
See NS Package Number H08C

Dual-In-Line, Small Outline and Molded Mini Small Outline Packages



Top View
Order Number LM555J, LM555CJ,
LM555CM, LM555CMM or LM555CN
See NS Package Number J08A, M08A, MUA08A or
N08E

Applications Information (Continued)

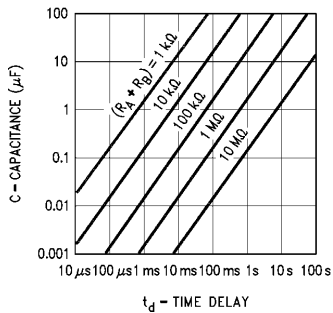


FIGURE 3. Time Delay

ASTABLE OPERATION

If the circuit is connected as shown in *Figure 4* (pins 2 and 6 connected) it will trigger itself and free run as a multivibrator. The external capacitor charges through $R_A + R_B$ and discharges through R_B . Thus the duty cycle may be precisely set by the ratio of these two resistors.

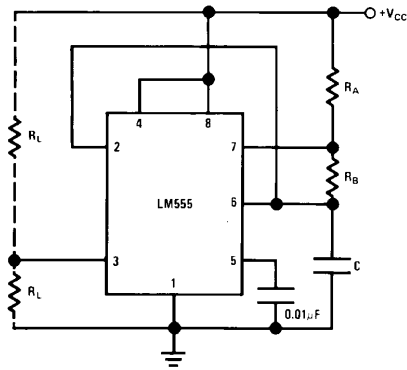
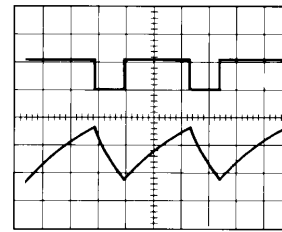


FIGURE 4. Astable

In this mode of operation, the capacitor charges and discharges between $1/3 V_{CC}$ and $2/3 V_{CC}$. As in the triggered mode, the charge and discharge times, and therefore the frequency are independent of the supply voltage.

Figure 5 shows the waveforms generated in this mode of operation.



$V_{CC} = 5V$
 TIME = 20 μs /DIV. Top Trace: Output 5V/Div.
 $R_A = 3.9 k\Omega$ Bottom Trace: Capacitor Voltage 1V/Div.
 $R_B = 3 k\Omega$
 $C = 0.01 \mu F$

FIGURE 5. Astable Waveforms

The charge time (output high) is given by:

$$t_1 = 0.693 (R_A + R_B) C$$

And the discharge time (output low) by:

$$t_2 = 0.693 (R_B) C$$

Thus the total period is:

$$T = t_1 + t_2 = 0.693 (R_A + 2R_B) C$$

The frequency of oscillation is:

$$f = \frac{1}{T} = \frac{1.44}{(R_A + 2R_B) C}$$

Figure 6 may be used for quick determination of these RC values.

The duty cycle is:

$$D = \frac{R_B}{R_A + 2R_B}$$

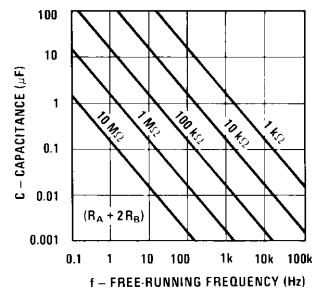
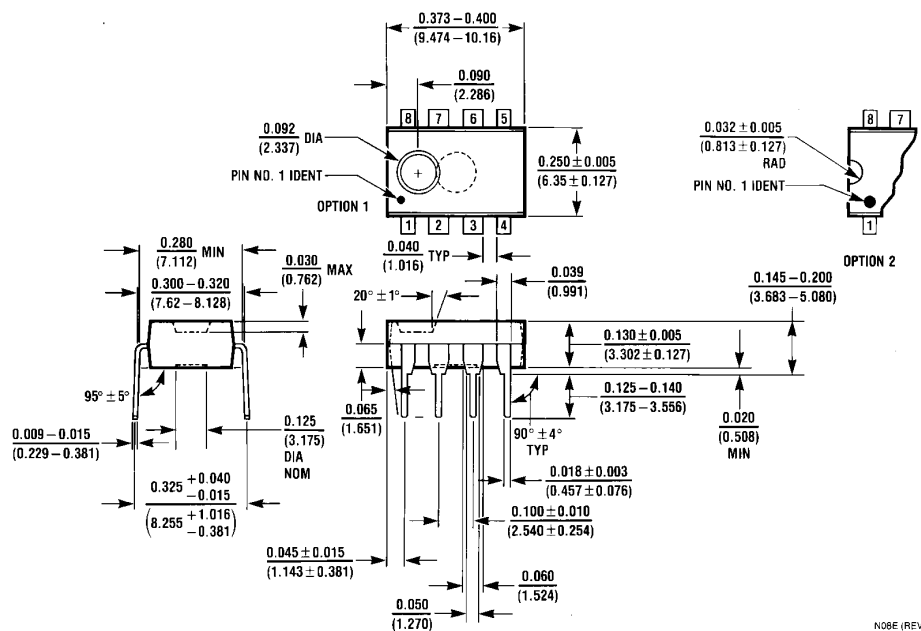


FIGURE 6. Free Running Frequency

FREQUENCY DIVIDER

The monostable circuit of *Figure 1* can be used as a frequency divider by adjusting the length of the timing cycle. *Figure 7* shows the waveforms generated in a divide by three circuit.

Physical Dimensions inches (millimeters) (Continued)



Molded Dual-In-Line Package (N)
Order Number LM555CN
NS Package Number N08E

N08E (REV F)

LIFE SUPPORT POLICY

NATIONAL'S PRODUCTS ARE NOT AUTHORIZED FOR USE AS CRITICAL COMPONENTS IN LIFE SUPPORT DEVICES OR SYSTEMS WITHOUT THE EXPRESS WRITTEN APPROVAL OF THE PRESIDENT OF NATIONAL SEMICONDUCTOR CORPORATION. As used herein:

1. Life support devices or systems are devices or systems which, (a) are intended for surgical implant into the body, or (b) support or sustain life, and whose failure to perform when properly used in accordance with instructions for use provided in the labeling, can be reasonably expected to result in a significant injury to the user.
2. A critical component in any component of a life support device or system whose failure to perform can be reasonably expected to cause the failure of the life support device or system, or to affect its safety or effectiveness.



National Semiconductor Corporation
 1111 West Bardin Road
 Arlington, TX 76017
 Tel: 1(800) 272-9959
 Fax: 1(800) 737-7018

National Semiconductor Europe
 Fax: (+49) 0-180-530 85 86
 Email: crjwge@tevm2.nsc.com
 Deutsch Tel: (+49) 0-180-530 85 85
 English Tel: (+49) 0-180-532 78 32
 Français Tel: (+49) 0-180-532 93 58
 Italiano Tel: (+49) 0-180-534 16 80

National Semiconductor Hong Kong Ltd.
 13th Floor, Straight Block,
 Ocean Centre, 5 Canton Rd.
 Tsimshatsui, Kowloon
 Hong Kong
 Tel: (852) 2737-1600
 Fax: (852) 2736-9960

National Semiconductor Japan Ltd.
 Tel: 81-043-299-2308
 Fax: 81-043-299-2408

www.national.com