

**A16**

NOTES:

1. UNLESS OTHERWISE INDICATED:  
RESISTANCE IN OHMS;  
CAPACITANCE IN PICOFARADS
2. FILLED SQUARE (■) INDICATES CONDUCTING ELEMENT FOR DECIMAL "0" (BCD "0000"); FOR DS1-DS4, SECTION "A" LIGHTS ON "1", SECTION "B" LIGHTS ON "0".
3. DIGITAL RECORDER OUTPUT IS OPTIONAL. SEE SECTION VII.

REFERENCE DESIGNATIONS

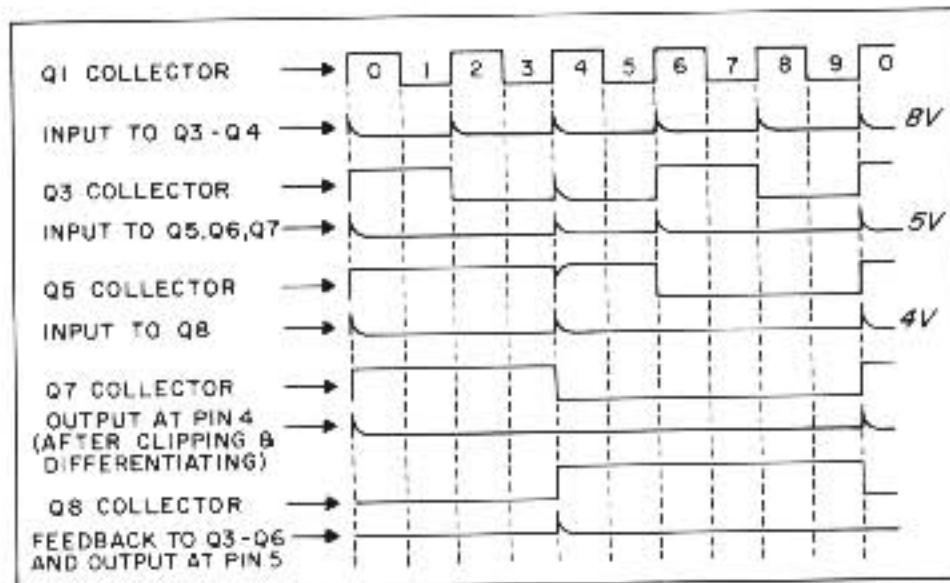
AI6
C 1-17
CR1-21
DS1-6
Q 1-8
R 1-65
V 1

DELETED:  
DS5  
R3-5

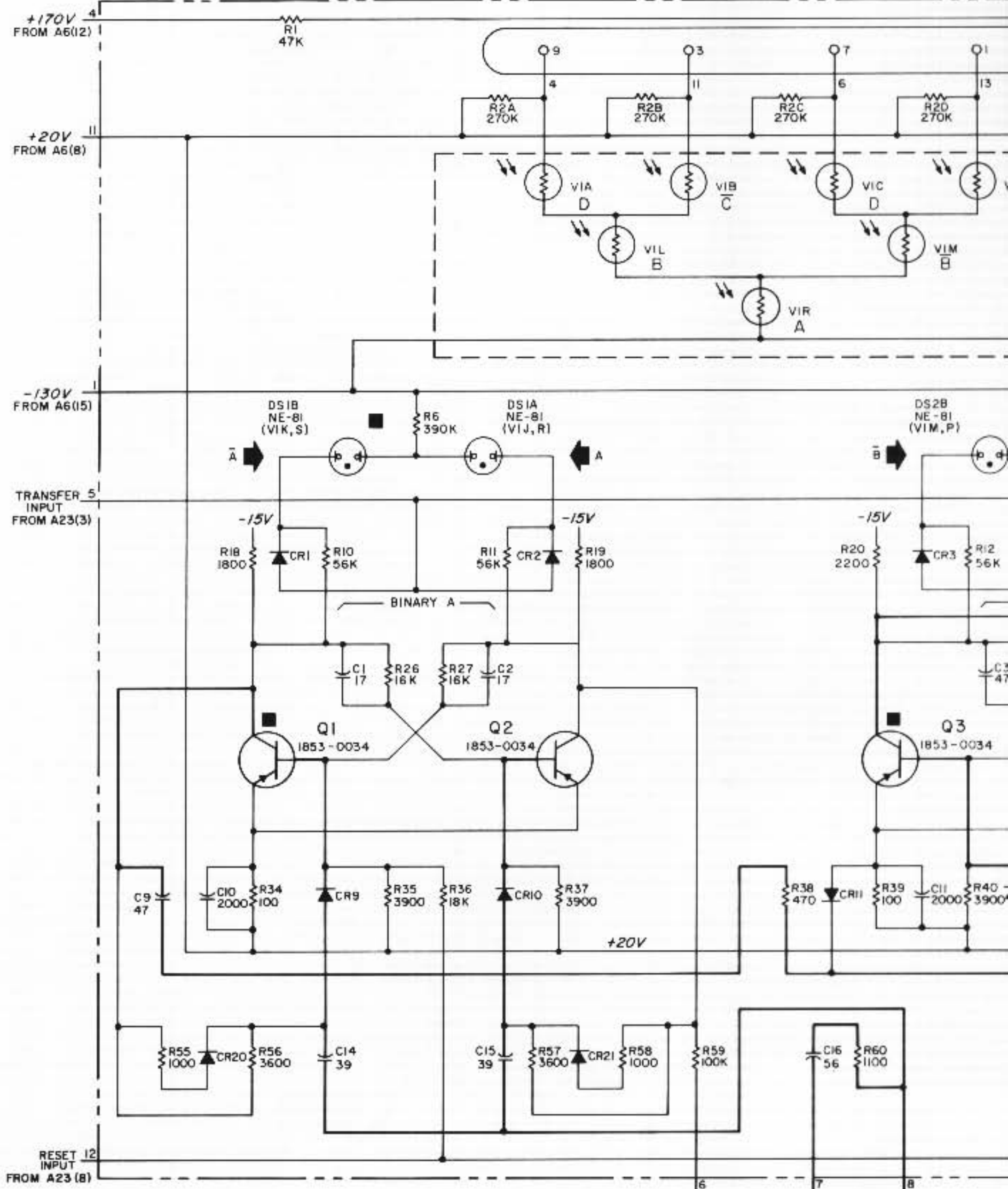
TRUTH TABLE

DIGIT	4 LINE CODE (0 = -, 1 = +)				V <sub>i</sub>	RELEVANT STAGES			
	D	C	B	A		BINARY			
						D	C	B	A
0	0	0	0	0	HPS	■	■	■	■
1	0	0	0	1	DMR	■	■	■	■
2	0	0	1	0	FNS	■	■	■	■
3	0	0	1	1	BLR	■	■	■	■
4	0	1	1	0	KQT	■	■	■	■
5	0	1	1	1	JQT	■	■	■	■
6	1	1	0	0	GPS	■	■	■	■
7	1	1	0	1	CMR	■	■	■	■
8	1	1	1	0	ENS	■	■	■	■
9	1	1	1	1	ALR	■	■	■	■

WAVEFORMS



05246-0-7

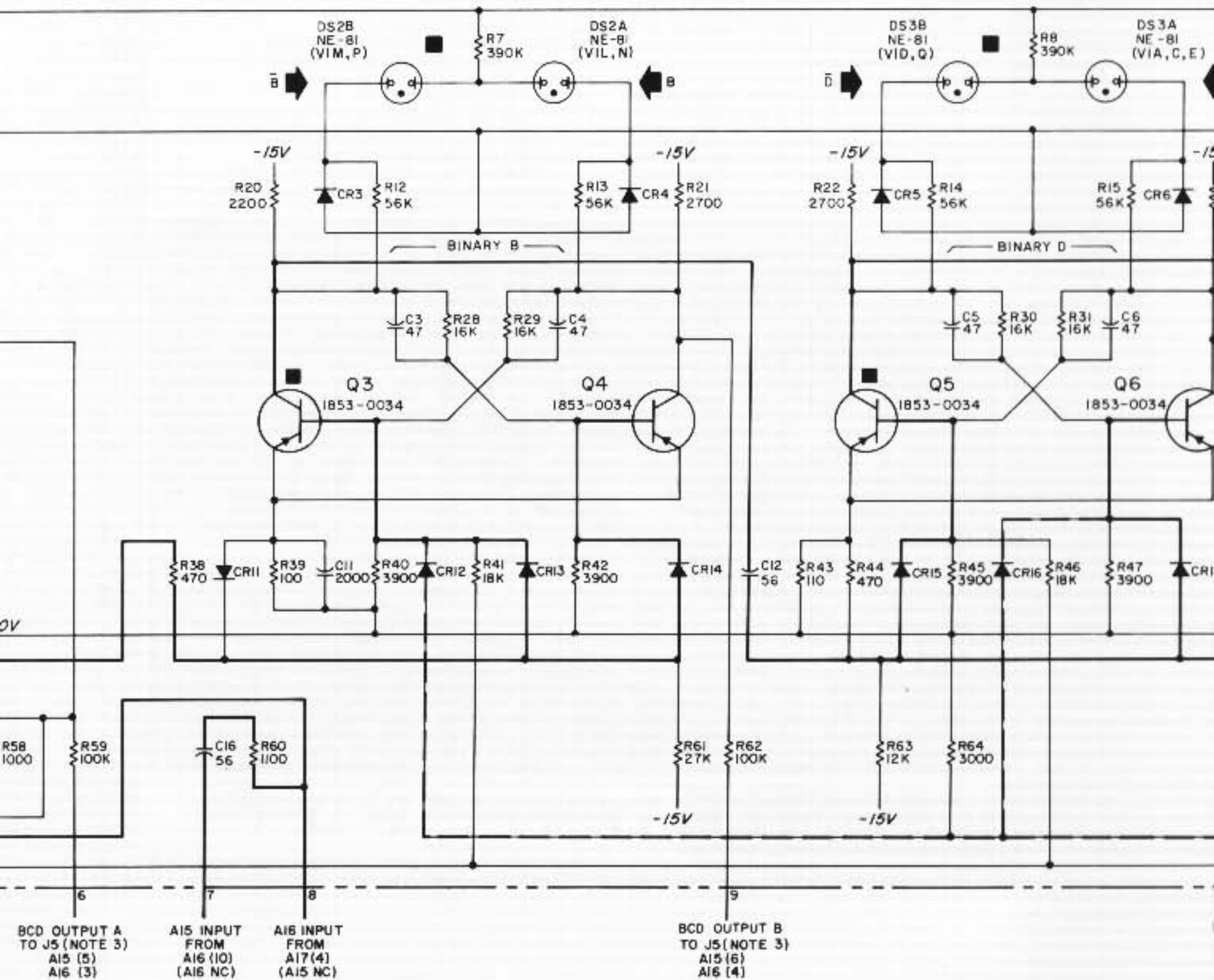
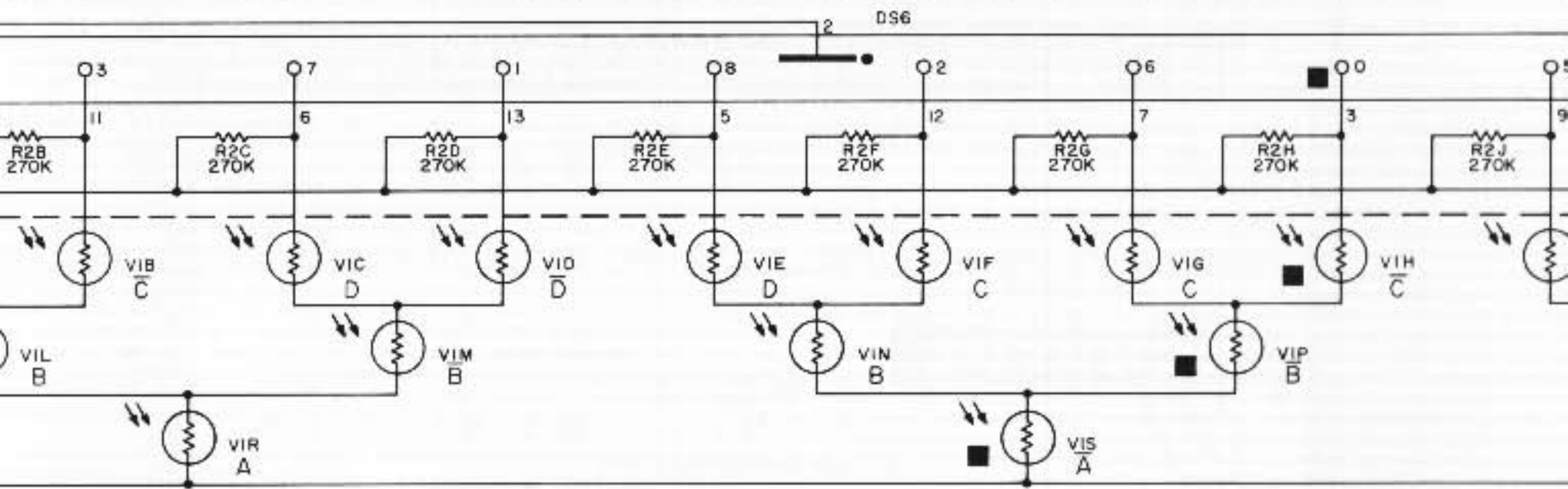


BCD OUTPUT A  
TO J5 (NOTE 3)  
A15 (5)  
A16 (3)

A16 INPUT  
FROM  
A16 (10)  
(A16 NC)

A16 INPUT  
FROM  
A17(4)  
(A15 NC)

A16 5MHz DECIMAL COUNTER ASSEMBLY (05232-6010) SERIES 628



2-6010] SERIES 62B

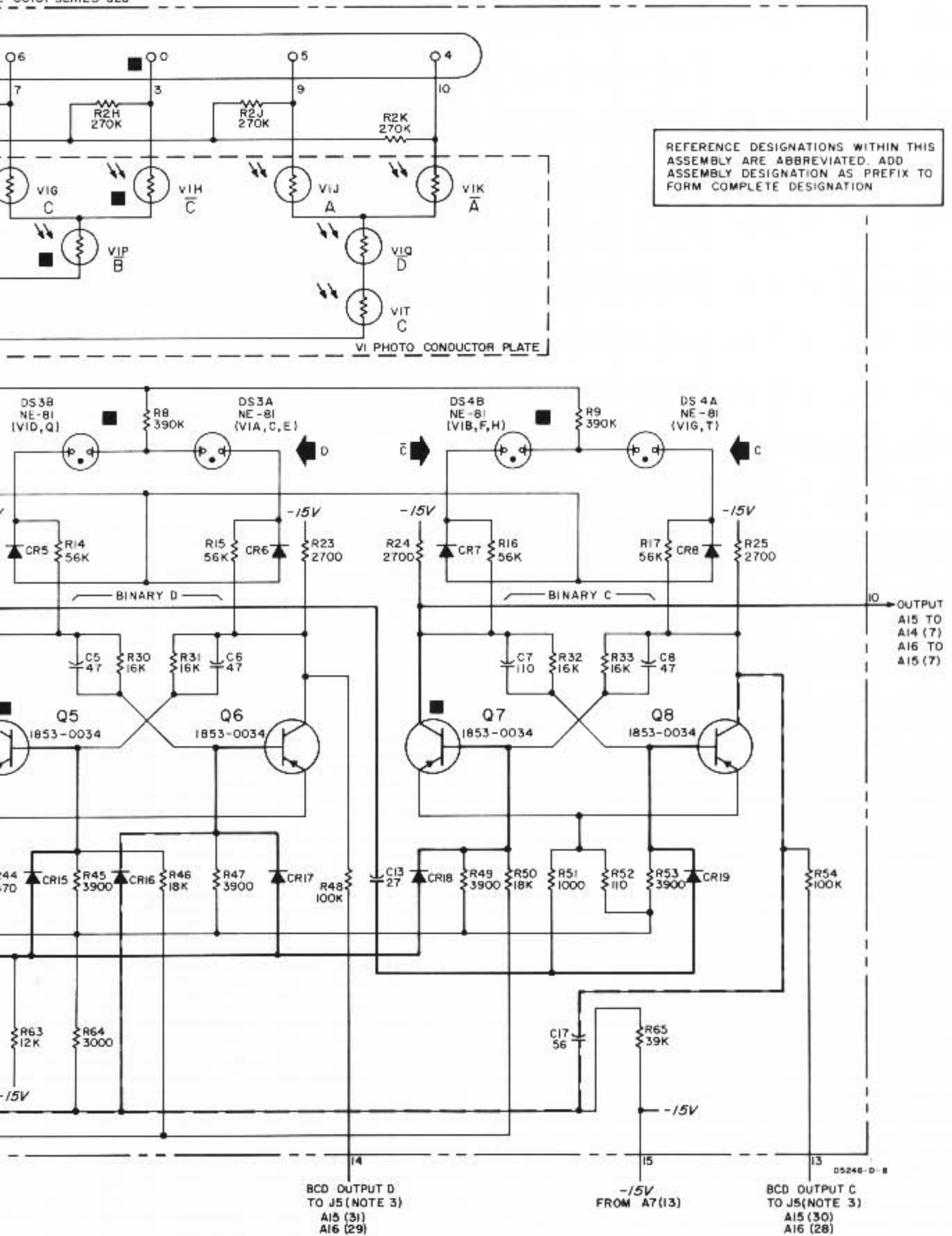


Figure 7-7. A16 5 MHz Decimal Counter